



**LineGard**<sup>TM</sup>  
*Always on duty*

## 40 - 60 AMP PERMANENT SERIES UL LISTED CLASS A GFCI



### PRODUCT FEATURES

- 208 VAC - single, and 3Ø Delta
- NEMA 4X wet location rated
- Enclosure withstands Chemical and U.V. light exposure
- Double insulated user interface for added safety
- Industrial design - indoor/outdoor application use
- Flying leads for electrical circuit splicing
- Class-A trip level 5mA +/-1mA
- Triple indication lights displaying power, contact position, and fault status
- 1" Conduit hubs for integration to 1" flexible, EMT, PVC or burial conduit
- UL 943 Listed

# PRODUCT OVERVIEW

The **LineGard™** 40 - 60 Amp Class A Ground Fault Circuit Interrupter (GFCI) is ideal for both new and existing circuit installations.

The **LineGard™** 40 - 60 Amp Class A GFCI offers the flexibility of splicing in anywhere within the length of a circuit. This convenience allows the installer to place this GFCI at an accessible location for the end user. Unlike breaker style GFCIs which have limitations of circuit level from the service panel, the **LineGard™** 40 - 60 Amp Class A is typically installed at the point of use and therefore has no restrictions to circuit length. The LineGard 40 - 60 Amp Class A GFCI can be integrated directly into a circuit or paired in tandem with an approved receptacle.

All units have 60" splicing lead wires and 1" NPT conduit fittings for integration to flexible, EMT, PVC, or burial conduit.

All **LineGard™** 40 - 60 Amp Class A GFCIs are proudly made in the U.S.A. in ISO certified facilities and are UL943 and CSA C22.2 No. 144 listed.



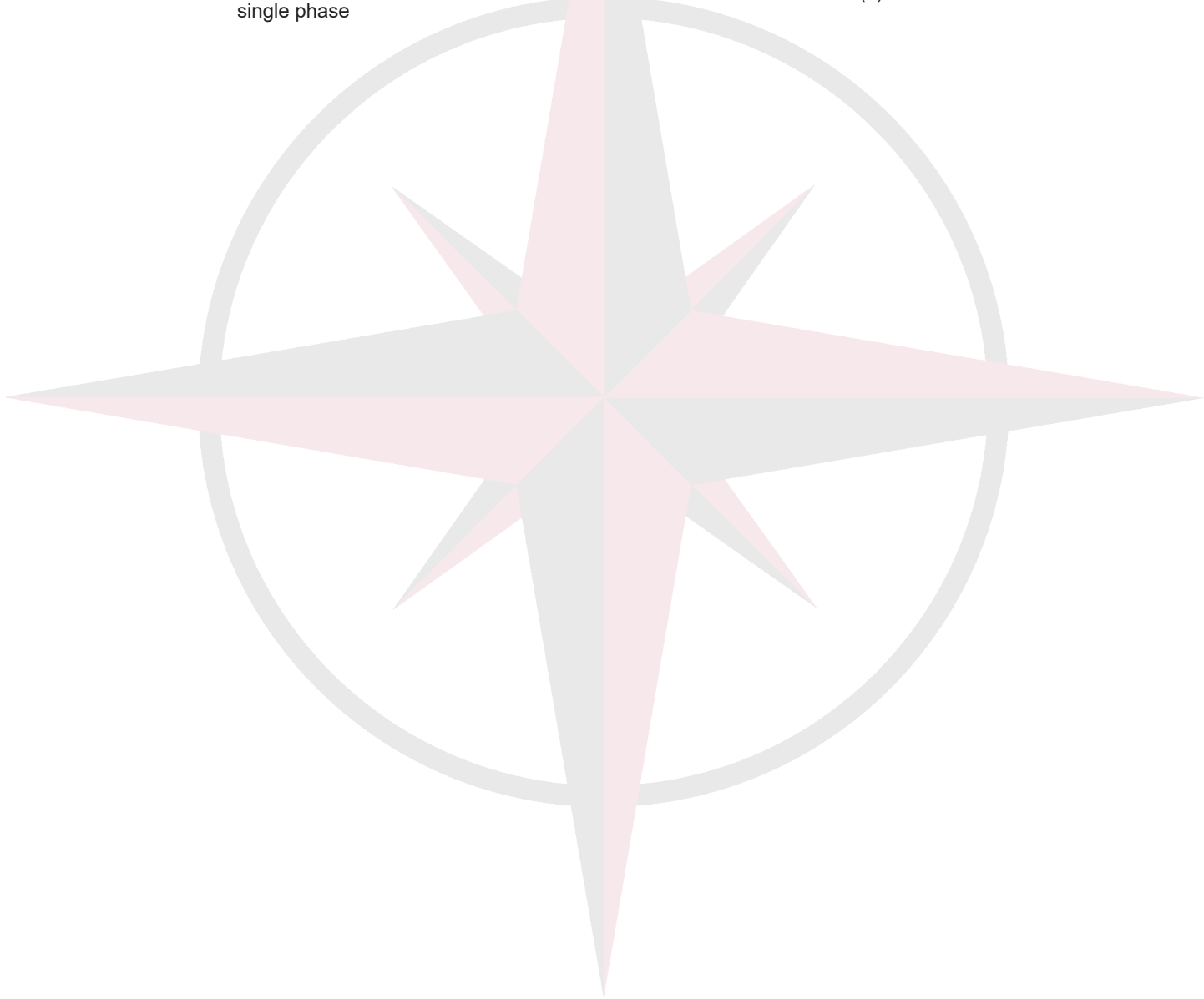
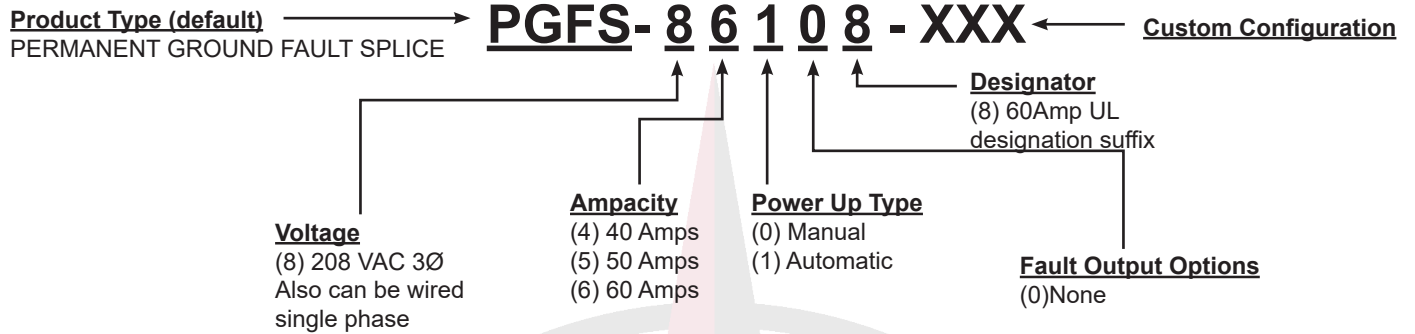
# PRODUCT SPECIFICATION

<b>Type:</b>	Class A GFCI
<b>Voltage:</b>	208 VAC
<b>Operating Voltage Range:</b>	85% to 110% of rating
<b>Current:</b>	40A, 50A, 60A (model dependent)
<b>Frequency:</b>	60 Hz
<b>Trip Level:</b>	5mA +/- 1mA
<b>Phase:</b>	3 Phase Delta
<b>Response Time:</b>	25ms max at 500 $\Omega$ Fault
<b>Reset Type:</b>	Auto: Output is on immediately upon power up* Manual: Output is off immediately upon power up*
<b>Operating Temperature:</b>	-35° C to 50° C (-31° F to 122° F)
<b>Enclosure:</b>	NEMA 4X wet location rated
<b>Latching Mechanism:</b>	AC contactor
<b>Agency Approval:</b>	UL943A Listed

\***Auto reset** Allows power downstream as long as power is available. It also will allow power downstream upon restoration of lost power. If the unit trips due to a fault condition the reset button will need to be pressed. Ideal for most applications (refridgeration, lighting, pumps, machinery, etc)

\***Manual reset** Allows power downstream only after the reset button is pressed. Any loss or interruption in power or a fault condition will put the unit in to fault mode and will require the reset button to be pressed before allowing power downstream. Used for safe start applications (power saws or equipment that would present an unsafe condition upon automatic power restoration)

# 40 - 60 AMP PERMANENT SERIES UL LISTED CLASS A DECISION TABLE





**40A, 50A, 60A 3-PHASE CLASS A GFCI**



## Dimensions

